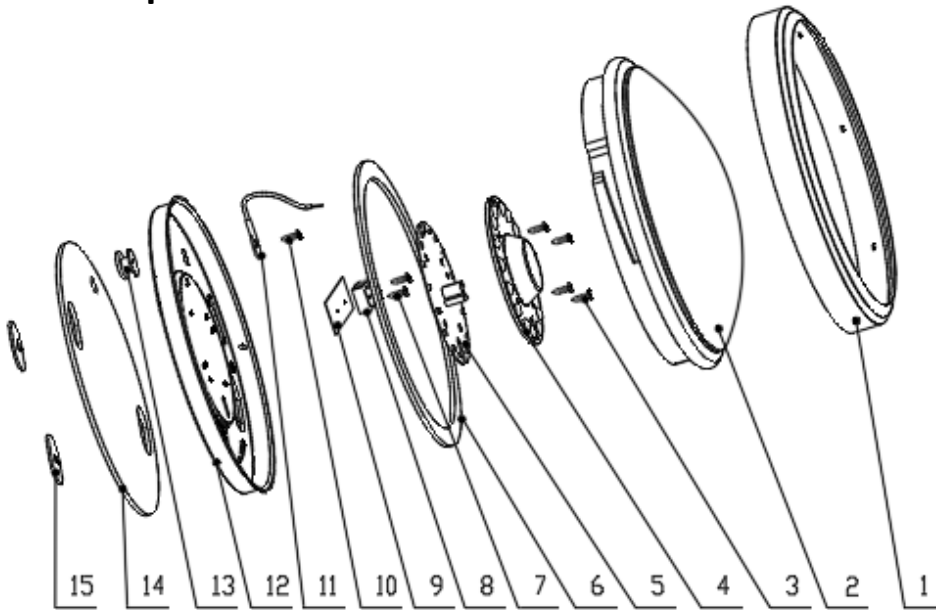


Dismantling Recommendation on Disposal at End of Life

Composition Explanation



No.	Components	Specifications	Unit	Quantity
1	Decorative ring	ABS, injection part, white or black or nickel coat	PC	1
2	Cover	PS, blown cover	PC	1
3	Screw	Steel, ST2.9*6	PCS	4
4	Lens	PC, injection part	PC	1
5	PCBA	Aluminum PCBA	PC	1
6	Sponge ring	EVA	PC	1
7	Screw	Steel, ST2.9*10	PC	1
8	Terminal block	3Pin	PC	1
9	Insulation film	PET	PC	1
10	Screw	Steel, ST2.9*4	PC	1
11	Ground wire		PC	1
12	Baseplate	ST12, Stamping parts	PC	1
13	Sleeve	Rubber	PC	1
14	Sponge plate	EVA	PC	1
15	Sponge block	EVA	PCS	2

Dismantling Recommendation on Disposal at End of Life

Dismantling

- Type: Without permanent damage

Recommendation on Disposal

- Plastic part: Reuse and Recycling
- Electrical part: Incineration and disposal
- Metal part: Recycling

Light source dismantling process

