

POPPY LED IP20

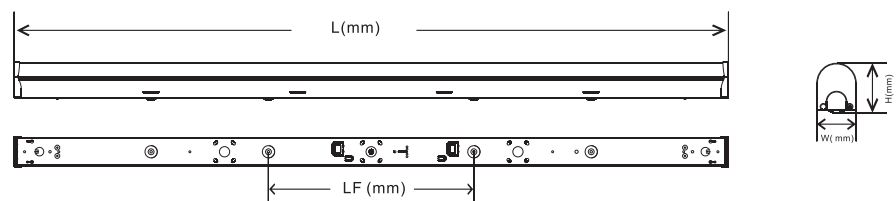
EN	Installation Instructions	HR	Uputstvo za montažu	SE	Installationsanvisning
DE	Montageanleitung	NL	Montagehandleiding	RU	Инструкция по монтажу
CZ	Montážní návod	RO	Instructiuni de montaj	SRB	Instrukcija za instalaciju
DK	Monteringsvejledning	IT	Istuzioni di montaggio	SK	Montážny návod
EE	Paigaldusjuhend	LT	Montavimo Instrukcijos	SLO	Navodilo za montažo
FI	Asennusohje	LV	Instalācijas instrukcija	CN	安装说明书
FR	Notice de montage	NO	Monteringsanvisning		
HU	Szerelési útmutató	PL	Instrukcja montażu		

1. Installation and commissioning may only be carried out by authorized specialists and wired in accordance with the latest IEE electrical regulations or the national standards.
2. Mains power must be switched off before carrying out installation.
3. The manufacturer, shall not be liable for any damage resulting from inappropriate modifications to the luminaire or faulty installation.
4. LED Light source can't be replaced.
5. Caution, risk of electric shock.

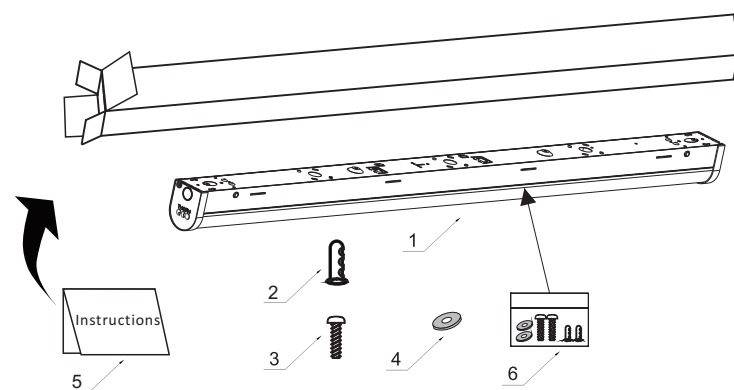
The control gear provides basic insulation between the LV supply and the control circuit



SAP Code	Product Description	Input	PF	Wattage	Operating temperature	L	W	H	LF
96631257	POPPY LED 600 2500 840	220-240V~ 0.16A 50/60Hz	0.9	24W	-20~40°C	560	62	77	390
96631258	POPPY LED 1200 2500 840	220-240V~ 0.16A 50/60Hz	0.9	24W	-20~40°C	1160	62	77	420
96631259	POPPY LED 1200 5000 840	220-240V~ 0.32A 50/60Hz	0.9	48W	-20~40°C	1160	62	77	420
96631260	POPPY LED 1500 4500 840	220-240V~ 0.28A 50/60Hz	0.9	40W	-20~40°C	1460	62	77	420/900
96631261	POPPY LED 1500 6500 840	220-240V~ 0.40A 50/60Hz	0.9	60W	-20~40°C	1460	62	77	420/900
96631262	POPPY LED 1800 6500 840	220-240V~ 0.40A 50/60Hz	0.9	60W	-20~40°C	1722	62	77	420/900
96631263	POPPY LED 1800 8500 840	220-240V~ 0.59A 50/60Hz	0.9	80W	-20~40°C	1722	62	77	420/900
96631268	POPPY LED 1200 2500 840 E3	220-240V~ 0.16A 50/60Hz	0.9	24W	0~25°C	1160	62	77	420
96631269	POPPY LED 1200 5000 840 E3	220-240V~ 0.32A 50/60Hz	0.9	48W	0~25°C	1160	62	77	420
96631270	POPPY LED 1500 4500 840 E3	220-240V~ 0.28A 50/60Hz	0.9	40W	0~25°C	1460	62	77	420/900
96631271	POPPY LED 1500 6500 840 E3	220-240V~ 0.40A 50/60Hz	0.9	60W	0~25°C	1460	62	77	420/900
96631272	POPPY LED 1800 6500 840 E3	220-240V~ 0.40A 50/60Hz	0.9	60W	0~25°C	1722	62	77	420/900
96631273	POPPY LED 1800 8500 840 E3	220-240V~ 0.59A 50/60Hz	0.9	80W	0~25°C	1722	62 <td 77	420/900	



1	LED batten	X1
2	Plastic expansion	X2
3	Round head self-drilling screw 5x30	X2
4	Flat gasket 12x6/Center hole 6mm	X2
5	Instructions	X1
6	Accessory bag	X1



POPPY LED IP20

